

Rover Camera Mount Assembly

Jackson State University MARRS STEM Workshop

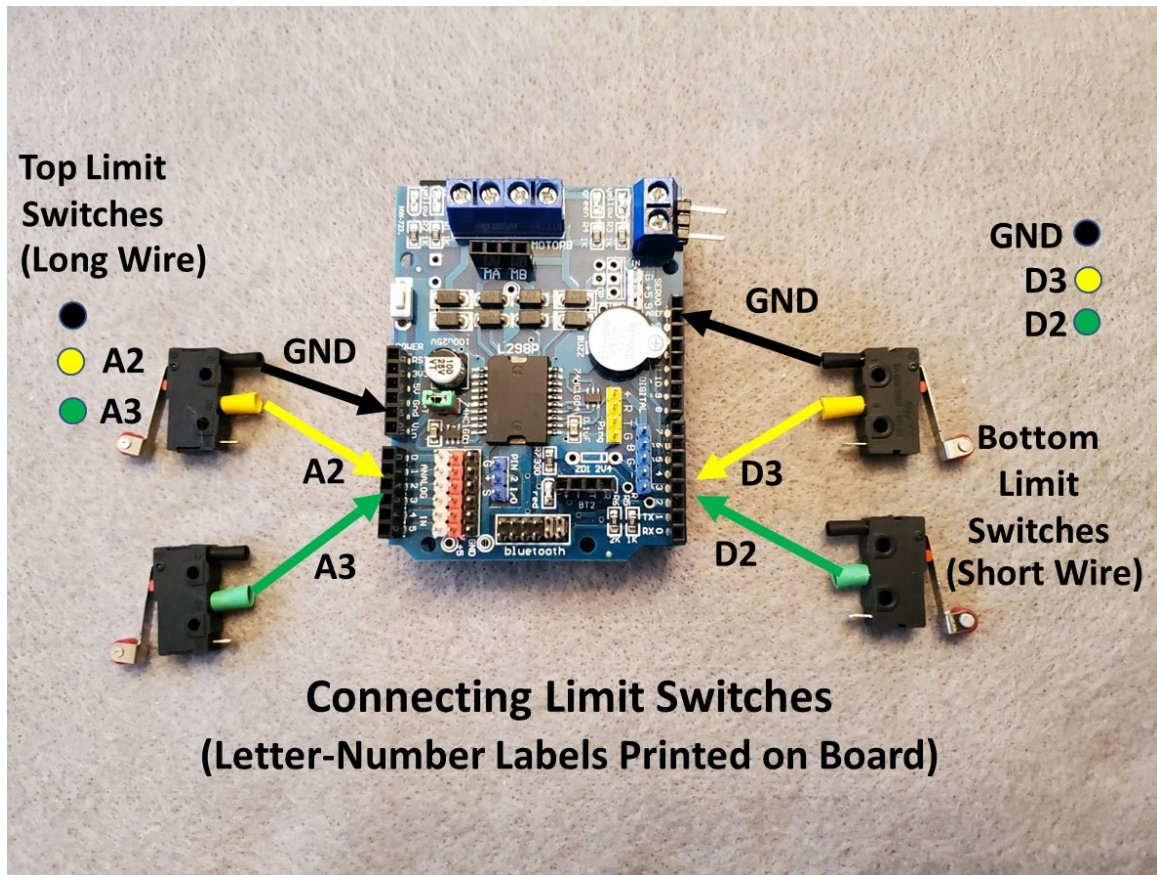
February 27, 2021

Objective: Complete the Camera Mount assembly and process successfully.

Tools and materials: Needle nose pliers, Phillip's screwdriver, camera parts kit.

11. Top Limit Switches Interface Connections

(1) Use the following photo in reference to **Top Limit Switches** to **Analog Connectors: A2, A3, GND**



(2) The photo shows the connection on the Rover Driver Board on **A2, A3, & GND** to the Top Stepper Limit Switch Interface wires are marked as **YELLOW, GREEN, & BLACK** sleeves.

